



850
series

850 series

Listening to our customers has always been important and our biggest motivator for designing new products. The 850 Series is a perfect example. Combining fresh, contemporary design with practical functionality has always been challenging and Heartwood is excited to present the all new 850 Series... which offers all of the above!

New Aluminum*
Doors with
Frosted Glass
Panels = **Hide**
those messy files

Cable routing for
Task lights or
additional electronic
equipment = **A tidy**
desk, a tidy mind!

New finishes like
Evening Zen
contrast perfectly
with the titanium
finish elements =
You'll look great!

Integral cable
management
system = **No**
tangled wires
anywhere!

*Please note, aluminum glass doors will be available April 2010



New Neo-angle desk with Outlines in Light Oak Finish



Layout # 1 Double Station in Hardrock Maple



Layout # 4 with Outlines in Autmun Maple

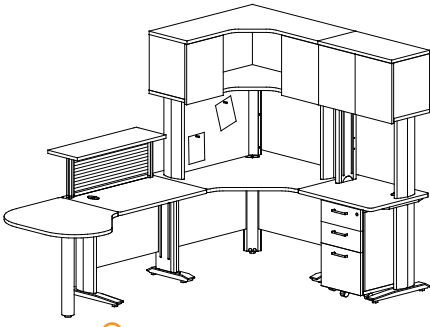
Clean, modern lines combined with new finishes and features, the 850 Series provides extensive choices aimed at the modern office environment, creating infinite layout options. The 850 Series provides solutions for every layout challenge, from a private office setting to a 'fleet' of workstations.

Sleek Titanium-finished details house cable management channels to provide a clutter-free work space. Stunning new work surface finishes such as Evening Zen, contrast beautifully to deliver rich looking aesthetics matched with the high quality workmanship that you have come to expect from Heartwood.

Versatility is paramount in today's office and the 850 Series is compatible with our new Outlines desktop divider screen system. Fully customizable, the two offerings work together and offer endless scope for creative space planning.

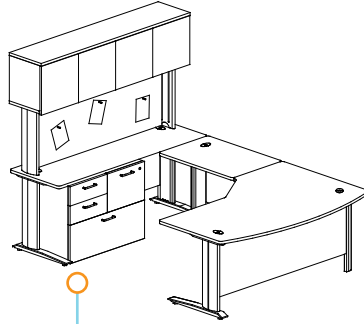
850 series

We understand the sheer amount of options may be overwhelming, so we have pre-designed some layouts for your convenience, however this is just the tip of the iceberg. Speak to your Heartwood Dealer today to discuss how we can provide the perfect solution to your office furniture requirements.



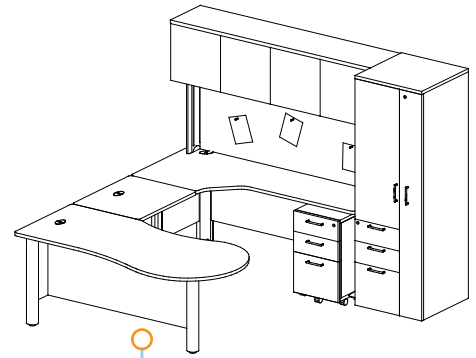
Layout # 2 - Left hand shown

End Meeting Table - Left
Left Connector
Corner Module
Right Connector
Corner Hutch/Hinge Doors
42 Corner Hutch Back -1 side only
Hutch/Hinge Doors
Corner Tack Board -1 side only
Mobile BBF Ped
Transaction Top
12" High Post
12" X 36" Polycarbonate Panel W/Rails



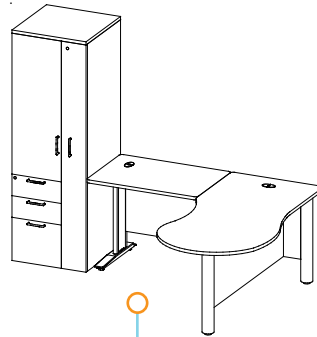
Layout # 3 - Left hand shown

Desk Shell
Centre Connector
Right Extended Bowtop Corner Module
Hutch/Hinge Doors/Back
Tack Board
Combo Drawer Unit



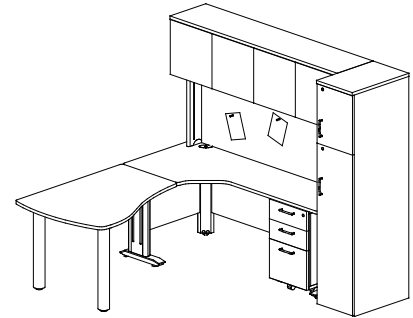
Layout # 5 - Right hand shown

Shaped Peninsula Top - Left
Centre Connector
Right Extended Corner Module
Hutch/Hinge Doors/Back
Tack Board
Mobile BBF Ped
Personal Wardrobe - Right



Layout # 6 - Left hand shown

Shaped Peninsula Top - Right
Left Connector
Personal Wardrobe - Left



Layout # 8 - Left hand shown

Wave Meeting Table - Left
Right Extended Corner Module
Personal Wardrobe - Right
Hutch/Hinge Doors/Back
Tack Board
Mobile BBF Ped



thecomfortzone

As with all Heartwood furniture, we offer an extensive selection of accessories aimed at maximizing comfort and productivity. We still recommend you stretch and take regular breaks to help prevent overuse injuries.

Finishes

A contemporary series lends itself to a more modern palette of finishes. Here are some of our recommendations to ensure your 850 Series furniture looks as good as it should. Speak to your Heartwood Dealer today to see all 20 finishes.



251 Adams Road, Kelowna
BC, V1X 7R1, Canada
T: 250 765 4145
F: 250 765 1213
E: CS@heartwood.ca
www.heartwood.ca