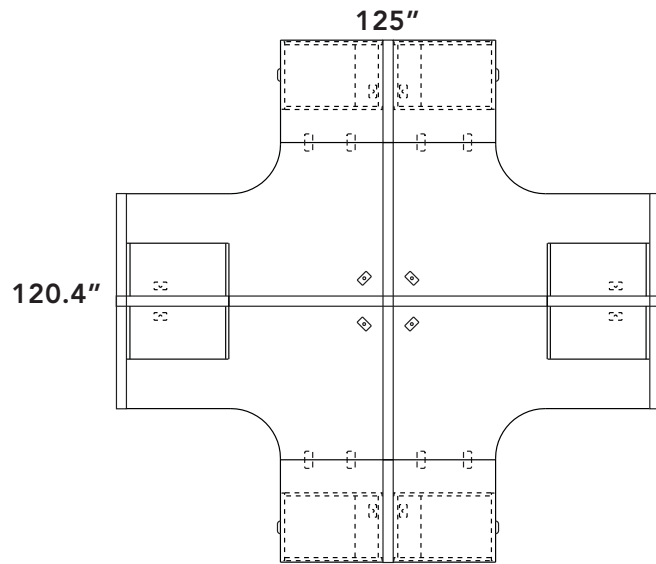


# Framework series



## Layout # 11

**FRM-362460RECM x 4** Round Extended Corner Module

**FRM-2424WS x 4** Work Surface

**FRM-OSS24 x 4** Overhead Shelf

**FRM-WFBK x 4** Work Surface Flush Bracket Kit

**FRM-1624FPUFX x 4** Freestanding Box/Box/File Pedestal

### HDL FRAMEWORK PANEL SYSTEM COMPONENTS

**FRM-3648P** 48" Tall Panel x 4

**FRM-2448P** 48" Tall Panel x 8

**FRM-48SQP-4W** Square 4-way Connecting Post

**FRM-48SQP-3W** Square 3-way Connecting Post x 2

**FRM-48PET** Panel End Trim x 6

**FRM-PCK** Panel Connecting Kit x 4

Please refer to [www.heartwood.ca](http://www.heartwood.ca) for current finish options available for this series.