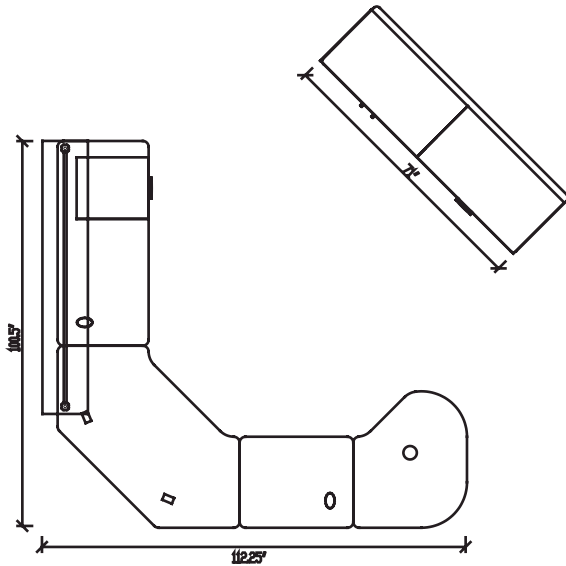


# Outlines series



## Layout # 13

**850-2430EMT-L** End meeting Table Left

**850-2430LC** Left Connector

**850-2448NACM** Neo-Angled Corner Module

**850-2454RC** Right Connector

**850-MPUF** Mobile Box/Box/File Pedestal

**850-2172TOP** Top Only

**850-1936CX** Storage Cabinet - No Top

**850-1936LFX** No Top Lateral File

**OUT-12POST x 2** Post Packages

**OUT-1272PYP** Polycarbonate Panel

**OUT1-1272TA** Straight Transaction Top

Please refer to [www.heartwood.ca](http://www.heartwood.ca) for current finish options available for this series.