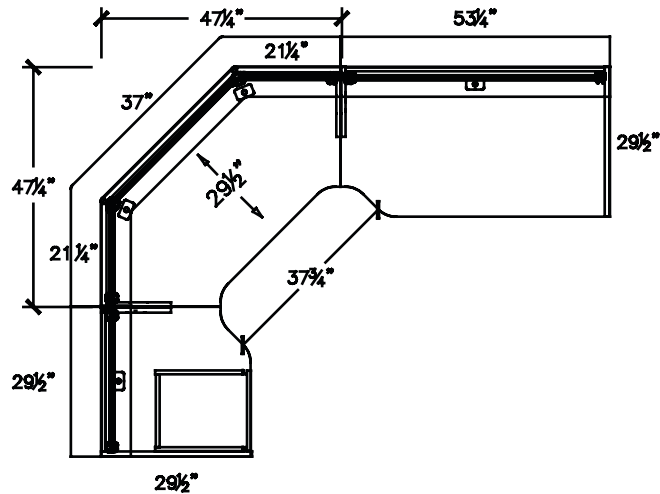


# Outlines series



## Layout # 3

**388-3030LC-CR** 30" Left Connector, Cutback Right

**388-2448NACM** Neo-Angle Corner Module

**388-3054RC-CL** 30" Right Connector, Cutback Left

**388-19FPUFX** Freestanding Pedestal - No Top

**OUT-12POST x 8** Post Packages

**OUT-1230PYP-F** 12" Polycarbonate Panel

**OUT-1254PYP-F** 12" Polycarbonate Panel

**OUT-1248PYP-NAPS** 12" Polycarbonate Panel Neo-Angle Panel Set

**OUT1-1254TA** Transaction Top

**OUT1-1248NATA** Neo-Angle Transaction Top

**OUT1-1230TA** Transaction Top

Please refer to [www.heartwood.ca](http://www.heartwood.ca) for current finish options available for this series.