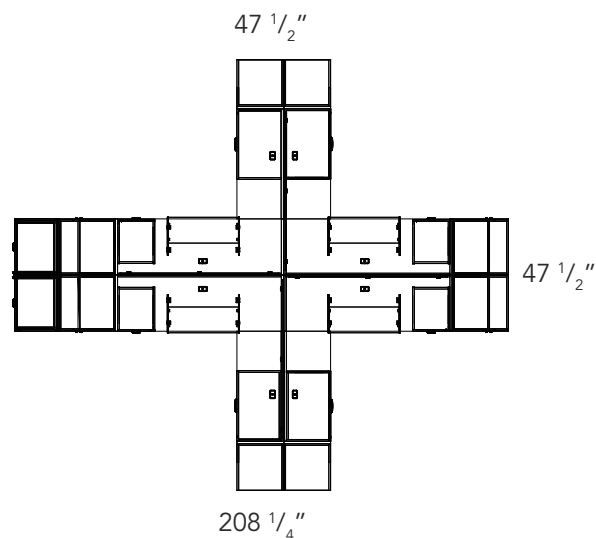


# Outlines *Plus* series



## Layout # 9

TM1-1572PLX x 4 15" Top Mount Plexiglass Privacy Panel

388-4724OCWL-24 x 2 Wardrobe Storage Cabinets

388-4724OCWR-24 x 2 Wardrobe Storage Cabinets

388-2048RS x 4 Non-Handed Return Shell

388-2472CT-A2 x 4 24" Connector Top

388-1924DCRHX Cabinet - Drawer Over Drawer - No Top

388-1924DCLHX Cabinet - Drawer Over Drawer - No Top

388-1924SBK - 19 x 2 Stacking Bookcase

388-19FPUFX x 4 Freestanding Pedestal - No Top

388-1930OLFX x 4 Open Lateral File Storage - No Top

388-2920SCSL x 2 Square Corner Shelves

388-2920SCSR x 2 Square Corner Shelves

100-KD28 X 4 Keyboard Drawer

Please refer to [www.heartwood.ca](http://www.heartwood.ca) for current finish options available for this series.