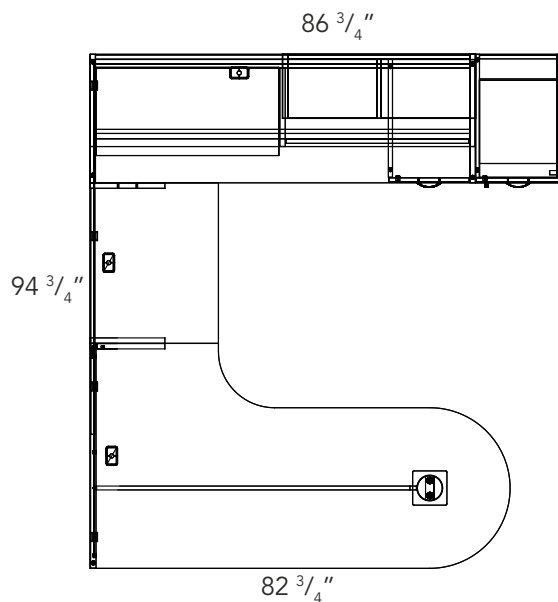


# Outlines *Plus* series



## Layout # 14

**TM1-1596PLX** 15" Top Mount Plexiglass Privacy Panel

**600-8442RCMBTM5** Corner Module Bullet w/ 5" Leg

**600-2430CT-C** 24" Connector Top

**600-2472UF** Single Right Pedestal Credenza

**600-1872OSFD-V** Overhead Storage -Flipper Door w/ Valence\*

**600-6516COF-R-24** Storage Cabinet

**600-1836VC x 2** Vertical Cubby-Hole - Designed to Fit in Hutches

\*Valence on Overhead Storage not shown.

Please refer to [www.heartwood.ca](http://www.heartwood.ca) for current finish options available for this series.