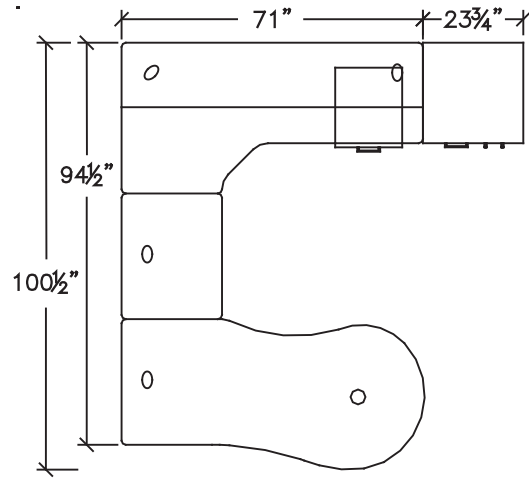


# 850 series



## Layout #5

**850-3072SPTM-L** Shaped Peninsula Top - Left

**850-2430CC** Centre Connector

**850-3672CM** Right Extended Corner Module

**850-4172HHD** Hutch W/ Hinged Doors

**850-72HB** Hutch Back

**850-72TB** Tackboard

**850-MPUF** Mobile BBF Ped

**850-7024UFWR** Personal Wardrobe Storage - Right

Please refer to [www.heartwood.ca](http://www.heartwood.ca) for current finish options available for this series