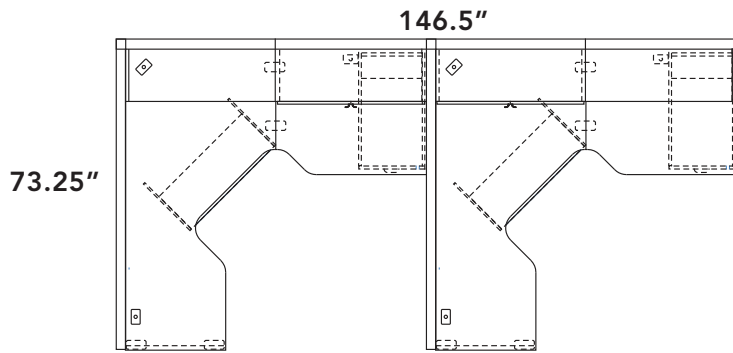


# Framework series



## Layout # 4

**FRM-36247SECM x 2** Shaped Extended Corner Module

**FRM-302436CC x 2** Cutback Connector

**FRM-GF24 x 2** Full Gable

**FRM-1630FPUFX x 2** Freestanding Box/Box/File Pedestal

**FRM-OSS36 x 2** Overhead Shelf

**FRM-1536OSHD x 2** Overhead Storage w/ Hinged Doors

**FRM-WFBK x 2** Work Surface Flush Bracket Kit

**100-KD28 x 2** Keyboard Drawer

### HDL FRAMEWORK PANEL SYSTEM COMPONENTS

**FRM-7266P** 66" Tall Panel x 2

**FRM-3666P** 66" Tall Panel x 4

**FRM-66SQP-3W** Square 3-way Connecting Post

**FRM-66SQP-2W** Square 2-way Connecting Post

**FRM-66PET** Panel End Trim x 2

**FRM-PCK** Panel Connecting Kit x 2

Please refer to [www.heartwood.ca](http://www.heartwood.ca) for current finish options available for this series.