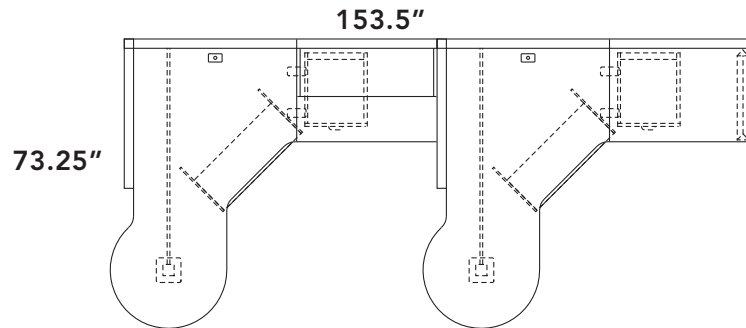


# Framework series



## Layout # 5

**FRM-422472CMPTM**  
x 2 Corner Module Peninsula Top

**FRM-2436WS** x 2 Work Surface

**FRM-WFBK** x 2 Work Surface Flush Bracket Kit

**FRM-ML24-R** Metal Leg

**FRM-1622MPF** x 2 Mobile Box/File Pedestal

**FRM-OSS36** Overhead Shelf

**100-KD28** x 2 Keyboard Drawer

### HDL FRAMEWORK PANEL SYSTEM COMPONENTS

**FRM-3648P** 48" Tall Panel x 2

**FRM-4266P** 66" Tall Panel x 2

**FRM-3666GP** 66" Tall Clear Glazed Panel

**FRM-3666P** 66" Tall Panel

**FRM-66SQP-2W** Square 2-way Connecting Post

**FRM-66SQP-3W** Square 3-way Connecting Post

**FRM-66PET** Panel End Trim

**FRM-48PET** Panel End Trim x 2

**FRM-PCK** Panel Connecting Kit x 2

Please refer to [www.heartwood.ca](http://www.heartwood.ca) for current finish options available for this series.