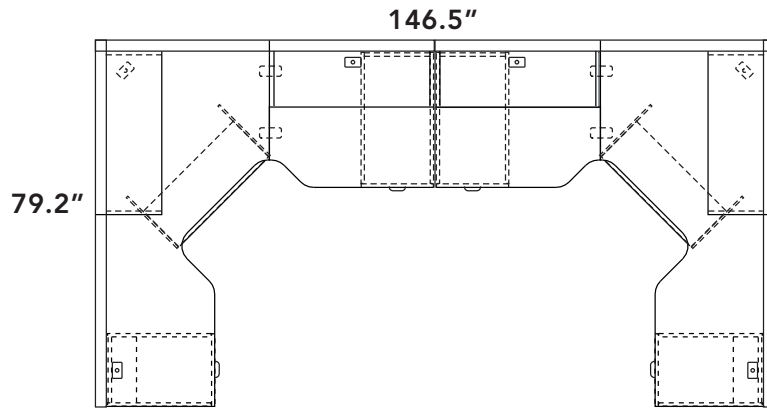


Framework series



Layout # 9

FRM-OSS36 x 2	Overhead Shelf
FRM-362478SECM x 2	Shaped Extended Corner Module
FRM-302436CC x 2	Cutback Connector
FRM-1624FPUFX x 2	Freestanding Box/Box/File Pedestal
FRM-1536OSO x 2	Open Overhead Storage
FRM-1630FPFFX x 2	Freestanding File/File Pedestal
FRM-WFBK x 2	Work Surface Flush Bracket Kit
100-KD28 x 2	Keyboard Drawer

HDL FRAMEWORK PANEL SYSTEM COMPONENTS

FRM-4248P	48" Tall Panel x 2
FRM-3066P	66" Tall Panel x 6
FRM-PCK	Panel Connecting Kit x 5
FRM-66SQP-2W	Square 2-way Connecting Post x 2
FRM-48PET	Panel End Trim x 2
FRM-66PET	Panel End Trim x 2
FRM-18PET	Panel End Trim x 2

Please refer to www.heartwood.ca for current finish options available for this series.