

ATLAS SERIES

SINGLE-LEG ELECTRIC HEIGHT ADJUSTABLE BASE

Designed to move with you!



Base shown with 24" x 36" laminate top
(top sold separately)

Product Specs

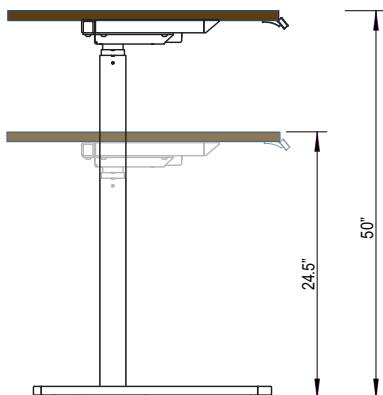
- 3-stage steel frame construction
- Actuator system with a heavy-duty motor driving the single leg
- Adjustable anti-collision function
- CSA/UL Certified
- Quick assembly design
- 4 programmable memory positions
- Operated at 1" per second
- Whisper quiet <55dB
- Max weight capacity: 1 leg base - 130 lbs
- Includes adjustable glides
- Limited lifetime warranty on laminates; 2-year warranty on electric and steel components
- Compatible with modesty or desktop panels
- Product is **IN-STOCK**

Model

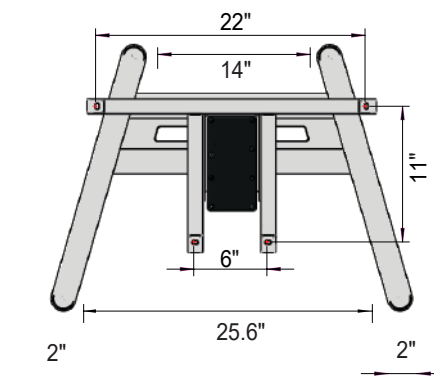
ATL-E1-1LEG

Height Range

24.5"- 50" (including 1" top)



Base Sizing



Available Finish

Silver (SL)



Optional Caster

Model

900-CASTER-M8-MB

- Sold quantity 2 casters - 2 sets (4 casters) required per base
- Durable PVC material
- Safe for use on soft or hard floors
- M8 threaded Stem caster
- Maximum weight 32kg/66lbs per caster



Top Sizing

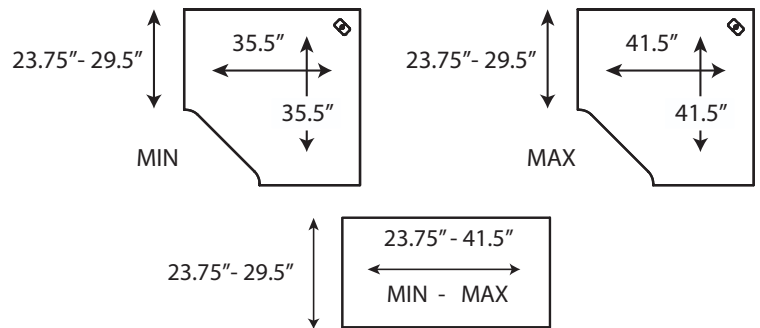
Width adjustment: Corner Module

MIN/MAX 35.5/ 35.5" - 41.5"/41.5" top

Width adjustment: Rectangle

MIN/MAX 23.75" - 41.5" top

Foot depth: 21.75"



Compatible Laminate Tops

Model

CAL-CM2436	5-Sided Corner Module Top	23.75 x 35.5 x 1
CAL-CM2442	5-Sided Corner Module Top	41.5 x 41.5 x 1
CAL-CM3042	5-Sided Corner Module Top	41.5 x 41.5 x 1
CAL-REC2424	24" Deep Rectangle Top	23.75 x 23.75 x 1
CAL-REC2430	24" Deep Rectangle Top	23.75 x 29.5 x 1
CAL-REC2436	24" Deep Rectangle Top	23.75 x 35.5 x 1
CAL-REC2442	24" Deep Rectangle Top	23.75 x 41.5 x 1
CAL-REC3024	30" Deep Rectangle Top	29.5 x 23.75 x 1
CAL-REC3030	30" Deep Rectangle Top	29.5 x 29.5 x 1
CAL-REC3036	30" Deep Rectangle Top	29.5 x 35.5 x 1
CAL-REC3042	30" Deep Rectangle Top	29.5 x 41.5 x 1

Available Finishes

All standard Heartwood laminate finishes:

